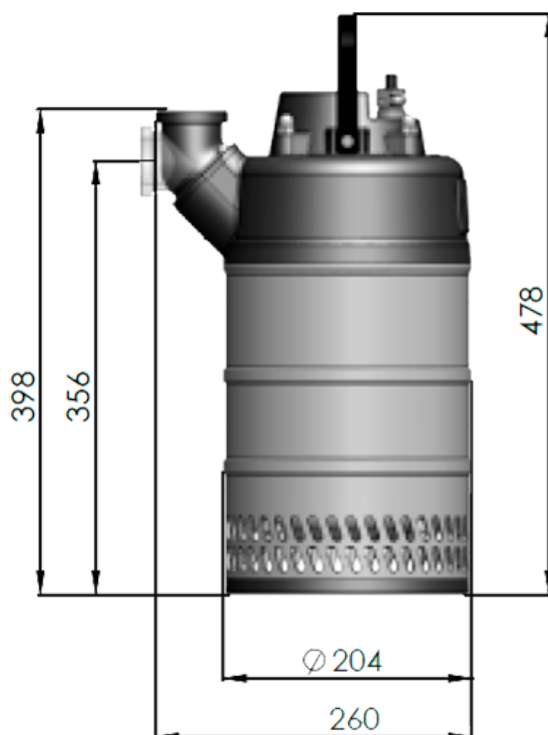


Article number: 717022015005012

Description: Dreno KAPPA K150.2.50 M - N  
1.5kW 1x230V 50Hz 2"

## Measures

---



Type = K150.2.50 M - N